

Motoren 3x400V /50Hz

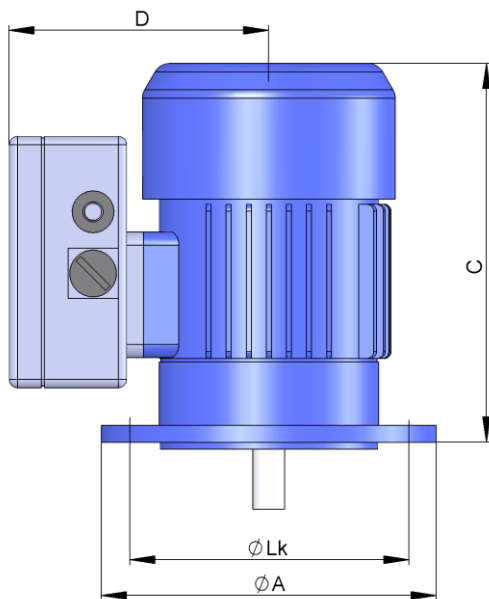
| Drehzahl U/min | Bau- grösse BG | Leistung kW | Strom- aufnahme A (400V) | (1) | (2) | Gewicht ~kg | Ø Flansch mm | Ø Welle mm | Art.-Nr. |
|-----------------------------|----------------------|----------------|--------------------------------|-----|-----|----------------|--------------------|------------------|-------------|
| 1500 4-Pol | 56 | 0.09 | 0.40 | IE1 | | 2.9 | 120 | 9 | 13090093 |
| | 63 | 0.12 | 0.45 | IE1 | | 3.6 | 140 | 11 | 13110123 |
| | 63 | 0.18 | 0.65 | IE1 | | 4.2 | 140 | 11 | 13110183 |
| | 71 | 0.25 | 0.85 | IE1 | PTC | 4.8 | 160 | 14 | 13140253 |
| | 71 | 0.37 | 1.30 | IE1 | PTC | 5.9 | 160 | 14 | 13140373 |
| | 80 | 0.55 | 1.70 | IE1 | PTC | 7.5 | 200 | 19 | 13190553 |
| | 80 | 0.75 | 2.10 | IE3 | PTC | 12 | 200 | 19 | 13190753IE3 |
| | 90 | 1.10 | 2.60 | IE3 | PTC | 19 | 200 | 24 | 13241103IE3 |
| | 90 | 1.50 | 3.30 | IE3 | PTC | 21.5 | 200 | 24 | 13241503IE3 |
| | 100 | 2.20 | 4.60 | IE3 | PTC | 28.5 | 250 | 28 | 13282203IE3 |
| | 100 | 3.00 | 6.50 | IE3 | PTC | 34 | 250 | 28 | 13283003IE3 |
| | 112 | 4.00 | 8.30 | IE3 | PTC | 40 | 250 | 28 | 13284003IE3 |
| | 132 | 5.50 | 10.40 | IE3 | PTC | 74.5 | 300 | 38 | 13385503IE3 |
| 1000 6-Pol | 63 | 0.12 | 0.60 | IE1 | | 4.2 | 140 | 11 | 13110122 |
| | 71 | 0.18 | 0.75 | IE1 | | 4.8 | 160 | 14 | 13140182 |
| | 71 | 0.25 | 1.00 | IE1 | | 5.8 | 160 | 14 | 13140252 |
| | 80 | 0.37 | 1.40 | IE1 | | 7.4 | 200 | 19 | 13190372 |
| | 80 | 0.55 | 1.80 | IE1 | | 8.6 | 200 | 19 | 13190552 |
| | 90 | 0.75 | 2.00 | IE3 | PTC | 19.5 | 200 | 24 | 13240752IE3 |
| | 90 | 1.10 | 2.70 | IE3 | PTC | 21 | 200 | 24 | 13241102IE3 |
| | 100 | 1.50 | 3.70 | IE3 | PTC | 23 | 250 | 28 | 13281502IE3 |
| | 112 | 2.20 | 5.20 | IE3 | PTC | 37 | 250 | 28 | 13282202IE3 |
| 750 8-Pol | 71 | 0.12 | 0.70 | IE1 | | 5.8 | 160 | 14 | 13140121 |
| | 80 | 0.25 | 1.20 | IE1 | | 8.9 | 200 | 19 | 13190251 |
| | 90 | 0.37 | 1.40 | IE1 | | 13.4 | 200 | 24 | 13240371 |
| | 90 | 0.55 | 1.90 | IE1 | | 15.3 | 200 | 24 | 13240551 |
| | 100 | 0.75 | 2.30 | IE1 | | 23.6 | 250 | 28 | 13280751 |
| | 100 | 1.10 | 3.40 | IE1 | | 26.3 | 250 | 28 | 13281101 |
| 500 12-Pol | 80 | 0.18 | 1.3 | IE1 | | 12 | 200 | 19 | 13190180 |
| 1500/750 4/8-Pol | 71 | 0.25/0.09 | 1.20/0.45 | | | 6 | 160 | 14 | 13140204 |
| | 80 | 0.55/0.30 | 1.40/1.40 | | | 8.6 | 200 | 19 | 13190554 |
| | 90 | 0.75/0.37 | 1.70/1.70 | | | 14.9 | 200 | 24 | 13240704 |
| | 90 | 1.00/0.55 | 2.20/2.10 | | | 16.6 | 200 | 24 | 13241004 |
| | 100 | 1.70/0.90 | 3.70/3.20 | | | 26 | 250 | 28 | 13281604 |
| | 112 | 3.00/1.60 | 6.30/5.10 | | | 33 | 250 | 28 | 13282404 |

Motoren 1x230V /50Hz

| Drehzahl U/min | Bau- grösse BG | Leistung kW | Strom- aufnahme A (230V) | (1) | (2) | Gewicht ~kg | Ø Flansch mm | Ø Welle mm | Art.-Nr. |
|-----------------------|----------------------|----------------|--------------------------------|-----|-----|----------------|--------------------|------------------|----------|
| 1500 4-Pol | 56 | 0.06 | 0.50 | | | 2.9 | 120 | 9 | 13090065 |
| | 56 | 0.09 | 0.90 | | | 4.1 | 120 | 9 | 13090095 |
| | 63 | 0.12 | 1.13 | | | 4.3 | 140 | 11 | 13110125 |
| | 63 | 0.18 | 1.70 | | | 5.1 | 140 | 11 | 13110185 |
| | 71 | 0.25 | 2.25 | | | 5.9 | 160 | 14 | 13140255 |
| | 71 | 0.37 | 2.82 | | | 7.3 | 160 | 14 | 13140375 |
| | 80 | 0.55 | 3.82 | | | 9.8 | 200 | 19 | 13190555 |
| | 80 | 0.75 | 5.04 | | | 11.8 | 200 | 19 | 13190755 |
| 1000 6-Pol | 71 | 0.12 | 1.30 | | | 5.0 | 160 | 14 | 13140126 |
| | 71 | 0.18 | 2.34 | | | 6.0 | 160 | 14 | 13140186 |
| | 80 | 0.37 | 3.13 | | | 8.8 | 200 | 19 | 13190376 |
| | 80 | 0.55 | 3.50 | | | 11.3 | 200 | 19 | 13190556 |

(1) Effizienzklasse nach EN 60034-30:2009 (IE = International Efficiency)
 (2) PTC Temperaturfühler (Kaltleiterthermofühler)

Änderungen vorbehalten



PAGERIS Motoren

mit angebautem Frequenzumrichter

Merkmale

| | |
|---------------------|------------------------------------|
| Anschluss | 1 Phase 230V/50Hz |
| Schutzart | IP54 |
| Frequenzbereich | 0-100 Hz regelbar (0 – 2800 U/min) |
| Ohne Anschlusskabel | siehe elektrisches Zubehör |

| BG | kW | ØA | ØLk | ~C | D | Art.-Nr. |
|----|------|-----|-----|-----|-----|-------------|
| 63 | 0.18 | 140 | 115 | 190 | 140 | 17110185 |
| 71 | 0.37 | 160 | 130 | 215 | 150 | 17140375 |
| 80 | 0.75 | 200 | 165 | 266 | 170 | 17190755 |
| 90 | 1.50 | 200 | 165 | 306 | 225 | 17241505INV |

ØLk= Lockkreisdurchmesser

Elektrisches Zubehör

| | |
|---|----------|
| 3m Anschlusskabel, montiert, ohne Stecker | 10000090 |
| 5m Anschlusskabel, montiert, ohne Stecker | 10000091 |
| Stecker T12 (Gummi), montiert | 10000076 |
| Stecker Schuko (Gummi), montiert | 10000077 |



Frequenzumrichter passend zu PAGERIS Motoren

Merkmale

- Hauptschalter
- rechts – links Schalter
- Sollwertpotentiometer
- Standard Keypad
- Gehäuse Schutzart IP66 / NEMA 4X
- Potentialfreie Steuer- und Meldekontakte

1 Phase FU 200 – 240V

| kW | Amp | Grösse | H | B | T | Art.-Nr. |
|------|------|--------|-----|-----|-----|----------|
| 0.37 | 2.3 | 1 | 232 | 161 | 162 | 17120375 |
| 0.75 | 4.3 | 1 | 232 | 161 | 162 | 17120755 |
| 1.50 | 7.0 | 1 | 232 | 161 | 162 | 17121505 |
| 2.20 | 10.5 | 2 | 257 | 188 | 182 | 17222205 |

3 Phase FU 380 – 480V

| kW | Amp | Grösse | H | B | T | Art.-Nr. |
|------|------|--------|-----|-----|-----|----------|
| 0.75 | 2.2 | 1 | 232 | 161 | 162 | 17140755 |
| 1.50 | 4.1 | 1 | 232 | 161 | 162 | 17141505 |
| 2.20 | 5.8 | 2 | 257 | 188 | 182 | 17242205 |
| 4.00 | 9.5 | 2 | 257 | 188 | 182 | 17244005 |
| 5.50 | 14.0 | 3 | 310 | 211 | 238 | 17345505 |
| 7.50 | 18.0 | 3 | 310 | 211 | 238 | 17347505 |

Hinweis

Bei Dauerbetrieb des Motors <20Hz und Vollast, wird für die Wärmeabfuhr des Motors eine Fremdbelüftung empfohlen.
Motor mit Fremdbelüftung auf Anfrage

Änderungen vorbehalten